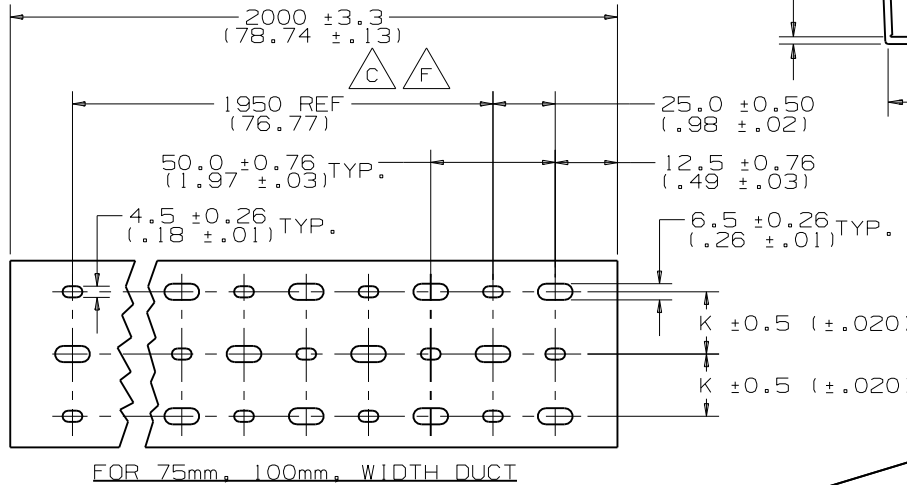
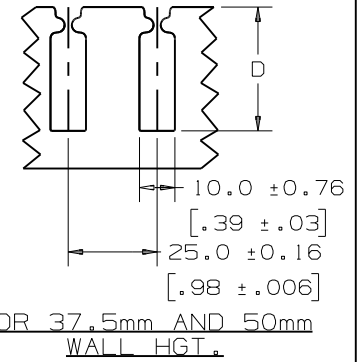
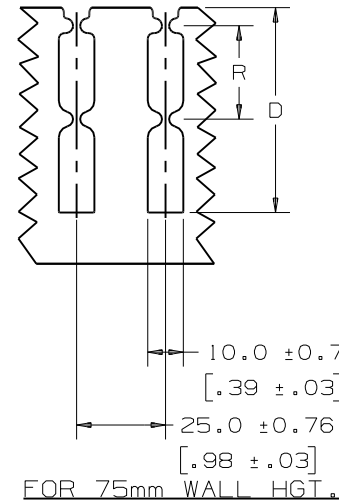
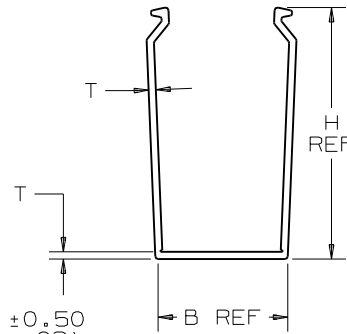
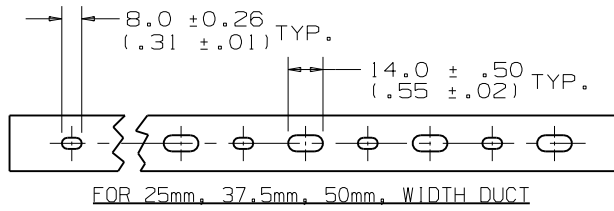


THIS COPY IS PROVIDED ON A RESTRICTED BASIS AND IS NOT TO BE USED IN ANY WAY DETRIMENTAL TO THE INTERESTS OF PANDUIT CORP.

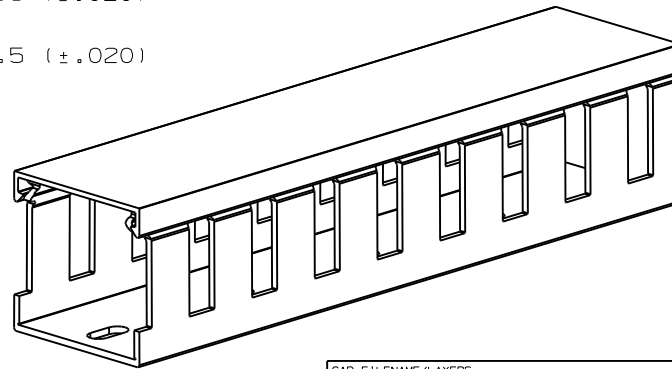


MOUNTING HOLE DIMENSIONS



NOTES:

- "B" MEASURED AT BASE.
- STANDARD LENGTH: 2 METER.
- SEE CURRENT CATALOG FOR PART NUMBER DESIGNATIONS FOR TYPE, COLOR, AND LENGTH.
- DUCT TYPE "NNC" PACKAGED WITH TYPE "NC" COVER.
- DIMENSIONS ARE METRIC (INCHES).



CHANNEL EXAMPLE:
 NNC 37 X 50 LG 2
 TYPE 37mm WIDE 50mm HIGH
 COLOR (LIGHT GRAY) LENGTH (m)



CAD FILENAME/LAYERS D38539AA_DC_NNC_01B.PRT

PANDUIT CORP. TINLEY PARK, ILLINOIS
 WIRING DUCT AND COVER
 TYPE "NNC" METRIC
 CUSTOMER DRAWING

UNLESS OTHERWISE SPECIFIED,
 DIMENSIONAL TOLERANCES ARE:
 (.X) ± (.XXX) ±
 (.XX) ± 3.1 ANGLES ±

UNLESS OTHERWISE SPECIFIED,
 ALL DIMENSIONS ARE GIVEN
 IN INCHES, THIRD ANGLE PROJECTION.

---	-----	---	---	F. CHANGED TOLERANCE E. REMOVED THE ".5"	-----	---	---						
---	-----	---	---	D. RE-ORDERED CHART (WAS SORTED BY "H") C. CHANGED DIMENSION TO REF. DIMENSION	-----	---	---						
I	9-18-06	JCST	JKG	B. CHANGED NOTES A. ADDED NEW SIZES	38539-04	JKG	JKG						
R	11-2-02	JHNU JCST	JKG	RELEASED TO PRODUCTION	38539-04	HIW	HIW						
REV	DATE	BY	CHK	DESCRIPTION	ECN	R	CUST	SUP					

DRAWN BY JHNU	MAT'L: HALOGEN FREE MODIFIED POLYPHENYLENE OXIDE (PPO)	SCALE NONE
DATE 8-2-02		DRAWING NO. 38539-04
CHK'D JKG		DWG A Sht 1 of 3 SIZE

THIS COPY IS PROVIDED ON A RESTRICTED BASIS AND IS NOT TO BE USED IN ANY WAY DETRIMENTAL TO THE INTERESTS OF PANDUIT CORP.



PROFILE DIMENSION				
NOMINAL DUCT SIZE (W X H)	B REF	H REF	T	T TOL.
25 X 25	24.6 (.97)	20.5 (.81)	1.4 (.06)	±.26 (.010)
25 X 37	24.6 (.97)	33.0 (1.30)	1.4 (.06)	±.26 (.010)
25 X 50	24.6 (.97)	45.5 (1.79)	2.0 (.08)	±.30 (.012)
25 X 75	24.6 (.97)	70.5 (2.78)	1.7 (.07)	±.30 (.012)
37 X 37	37.1 (1.46)	33.0 (1.30)	1.8 (.07)	±.30 (.012)
37 X 50	37.1 (1.46)	45.5 (1.79)	2.0 (.08)	±.30 (.012)
37 X 75	37.1 (1.46)	70.5 (2.78)	2.0 (.08)	±.36 (.014)
50 X 50	49.6 (1.95)	45.5 (1.79)	2.0 (.08)	±.30 (.012)
50 X 75	49.6 (1.95)	70.5 (2.78)	2.0 (.08)	±.36 (.014)
50 X 100	49.6 (1.95)	95.5 (3.76)	2.2 (.09)	±.40 (.016)
75 X 75	74.6 (2.94)	70.5 (2.78)	2.0 (.08)	±.40 (.016)
100 X 50	99.6 (3.92)	45.5 (1.79)	2.0 (.08)	±.40 (.016)
100 X 75	98.6 (3.92)	70.5 (2.78)	2.5 (.10)	±.50 (.020)
100 X 100	99.6 (3.92)	95.5 (3.76)	2.5 (.10)	±.50 (.020)



MOUNTING HOLE	
NOMINAL DUCT WIDTH	K
25	±.5 (.02)
37	----
50	----
75	25.0 (.98)
100	25.0 (.98)



SLOT DIMENSION		
NOMINAL DUCT HEIGHT	D	R
25	±.8 (.03)	±.75 (.02)
37	13.6 (.54)	-----
50	24.7 (.97)	-----
75	34.8 (1.37)	-----
100	57.6 (2.27)	26.26 (1.03)
	81.0 (3.19)	38.0 (1.50)

ALL DIMENSIONS ARE METRIC (INCHES)

CAD FILENAME/LAYERS D38539AA_DC_NNC_01B.PRT

PANDUIT CORP. TINLEY PARK, ILLINOIS

WIRING DUCT AND COVER
TYPE "NNC" METRIC
CUSTOMER DRAWING

UNLESS OTHERWISE SPECIFIED,
DIMENSIONAL TOLERANCES ARE:
(.X) ± (.XXX) ±
(.XX) ± 3.1 (.12) ANGLES ±

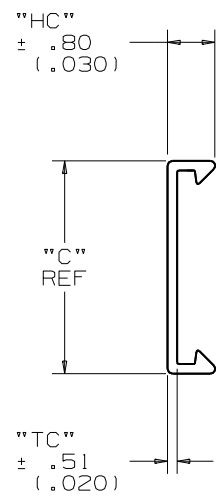
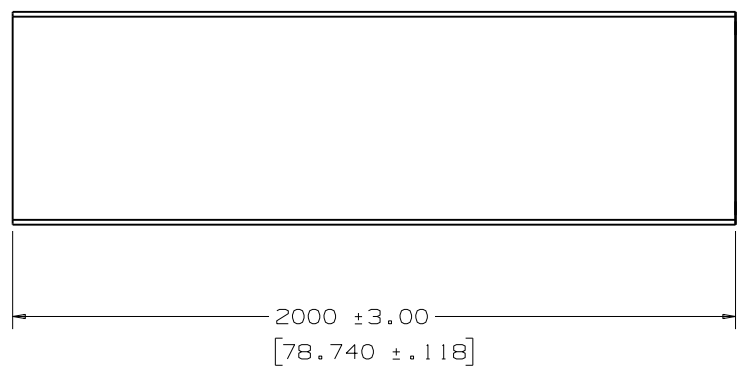
UNLESS OTHERWISE SPECIFIED,
ALL DIMENSIONS ARE GIVEN
IN INCHES, THIRD ANGLE PROJECTION.

REV	DATE	BY	CHK	DESCRIPTION	ECN	CHK	CUST	SUP
I	9-18-06	JCST	JKG	SEE SHEET 1 OF 3 FOR REVISIONS	38539-04	JKG	JKG	
R	11-2-02	JHNU JCST	JKG	SEE SHEET 1 OF 3 FOR REVISIONS	38539-04	HIW	HIW	

DRAWN BY JHNU	MAT'L: HALOGEN FREE MODIFIED POLYPHENYLENE OXIDE (PPO)	SCALE NONE
DATE 8-2-02		DRAWING NO. 38539-04
CHK'D JKG		SHT 2 OF 3
		DWG A SIZE



THIS COPY IS PROVIDED ON A RESTRICTED BASIS AND IS NOT TO BE USED IN ANY WAY DETRIMENTAL TO THE INTERESTS OF PANDUIT CORP.



NOMINAL DUCT SIZE (W)	C REF	HC	TC
25	24.6 (.97)	8.9 (.35)	1.30 (.05)
37	37.1 (1.46)	8.9 (.35)	1.30 (.05)
50	49.6 (1.95)	8.9 (.35)	1.40 (.06)
75	74.6 (2.94)	9.4 (.37)	1.40 (.06)
100	99.6 (3.92)	9.4 (.37)	1.40 (.06)

ALL DIMENSIONS ARE METRIC (INCHES)

CAD FILENAME/LAYERS D38539AA_DC_NNC_01B

REV	DATE	BY	CHK	DESCRIPTION	ECN	R	CUST	SUP
I	9-18-06	JCST	JKG	SEE SHEET 1 OF 3 FOR REVISIONS	38539-04	JKG	JKG	
R	11-2-02	JHNU JCST	JKG	SEE SHEET 1 OF 3 FOR REVISIONS	38539-04	HIW	HIW	

PANDUIT CORP TINLEY PARK, ILLINOIS
 WIRING DUCT AND COVER
 TYPE "NNC" METRIC
 CUSTOMER DRAWING

UNLESS OTHERWISE SPECIFIED, DIMENSIONAL TOLERANCES ARE: (.X) ± .01 (.XX) ± .01		UNLESS OTHERWISE SPECIFIED, ALL DIMENSIONS ARE GIVEN IN INCHES, THIRD ANGLE PROJECTION.	
DRAWN BY JHNU	MAT'L: HALOGEN FREE MODIFIED POLYPHENYLENE OXIDE (PPO)	SCALE NONE	
DATE 8-2-02		DRAWING NO. 38539-04	DWG A
CHK'D JKG		SHT 3 OF 3	SIZE

